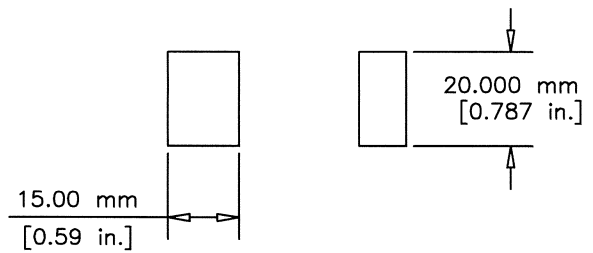
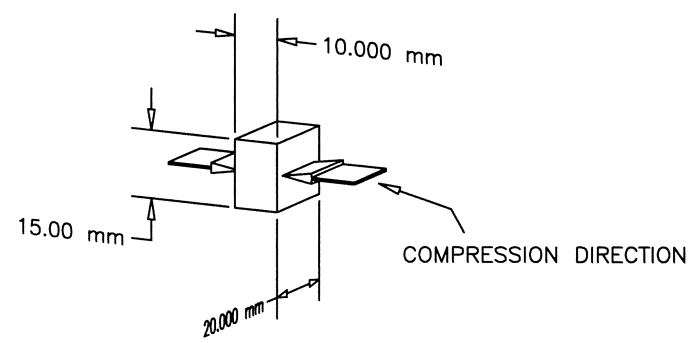
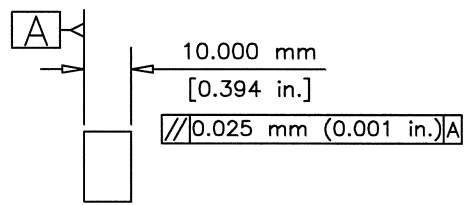


REVISIONS		
SYM	DESCRIPTION	DATE
R.0	MOVED DRAWING FROM G188V U.D. TOLERANCES & FINISHING NOTES	AGD 7/28/00 AGD 9/18/00
R.1	U.D. TOL. & FIN. FOR ENGLISH & METRIC DIMS	5/1/01



DYNAMIC SYSTEMS INC. (D.S.I.) RESERVES THE RIGHT TO MAKE CHANGES AT ANY TIME IN ORDER TO IMPROVE DESIGN, AND SUPPLY THE BEST PRODUCT POSSIBLE. INFORMATION CONTAINED IN THIS PUBLICATION IS BELIEVED TO BE RELIABLE AND ACCURATE, HOWEVER RESPONSIBILITY IS NOT ASSUMED FOR ITS USE NOR FOR INFRINGEMENT OF PATENTS OR RIGHTS OF OTHERS THAT MAY RESULT FROM THEIR USE. NO LICENSE IS GRANTED BY IMPLICATION OR OTHERWISE UNDER ANY PATENT OR PATENT RIGHT OF DSI OR OTHERS.

P:\Specimen\SMC001.dwg

MATERIAL AS SPECIFIED	DRAFTSMAN VC	DATE 6/15/89	DSI POESTENKILL N.Y 12140	
	CHECKER		TITLE SPECIMEN - PLANE STRAIN 10 mm X 15 mm X 20 mm	
FINISH BREAK ALL CORNERS 0.25 mm (0.010 in.) TO 0.40 mm (0.015 in.) RAD. 16 ELSEWHERE	UNLESS OTHERWISE SPECIFIED DIMENSIONS ARE IN INCHES TOLERANCES ARE		SIZE B	SMC001 REV. 001
	.XX±0.13 mm (0.005 in.) .XXX±0.025 mm (0.001 in.)	.XXXX± ANG.±	SCALE 1/1	SHEET 1 OF 1