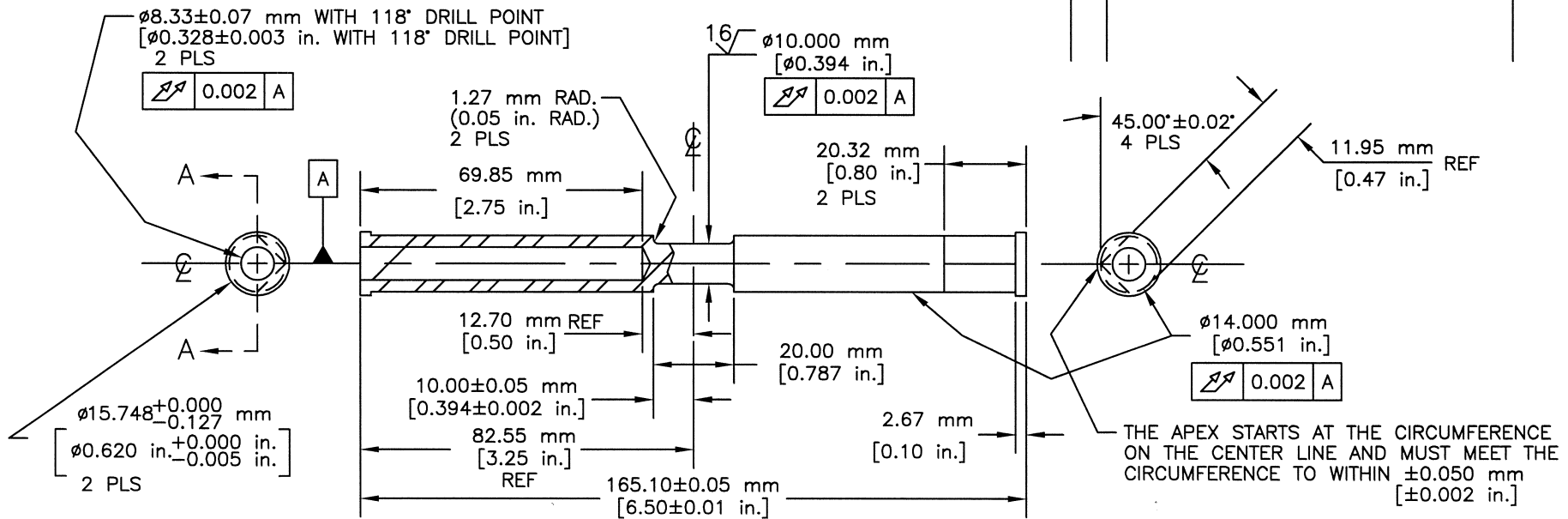


REVISIONS		
SYM	DESCRIPTION	DATE



DYNAMIC SYSTEMS INC. (D.S.I.) RESERVES THE RIGHT TO MAKE CHANGES AT ANY TIME IN ORDER  
 TO IMPROVE DESIGN, AND SUPPLY THE BEST PRODUCT POSSIBLE.  
 INFORMATION CONTAINED IN THIS PUBLICATION IS BELIEVED TO BE RELIABLE AND ACCURATE, HOWEVER  
 RESPONSIBILITY IS NOT ASSUMED FOR ITS USE NOR FOR INFRINGEMENT OF PATENTS OR RIGHTS OF  
 OTHERS THAT MAY RESULT FROM THEIR USE. NO LICENSE IS GRANTED BY IMPLICATION OR  
 OTHERWISE UNDER ANY PATENT OR PATENT RIGHT OF DSI OR OTHERS.

P:\SPECIMEN\SMT005.DWG

MATERIAL AS SPECIFIED	DRAFTSMAN H.R.	DATE 08/09/04	DSI POESTENKILL N.Y 12140 TITLE SPECIMEN - TORSION $\phi 10$ mm X 20mm Lg. w/ RESTRAINED ENDS
	CHECKER		
	ENGINEER		
FINISH BREAK ALL CORNERS 0.25 mm (0.010 in.) TO 0.40 mm (0.015 in.) RAD. 16° ELSEWHERE	UNLESS OTHERWISE SPECIFIED DIMENSIONS ARE IN INCHES TOLERANCES ARE		SIZE B
	.XX ± 0.13 mm (0.005 in.) .XXX ± 0.025 mm (0.001 in.)		SCALE 1/1
		.XXXX ± ANG. ± 1'	SHEET 1 OF 1
			SMT005 REV. 000